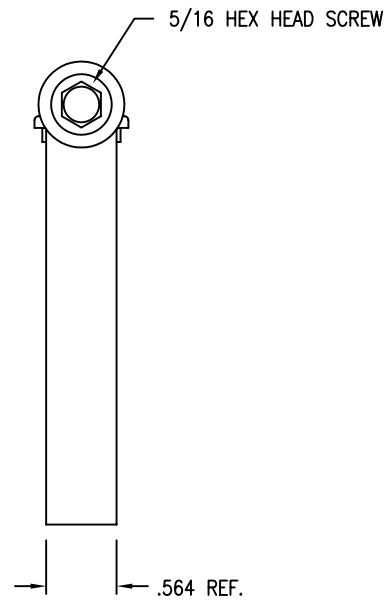
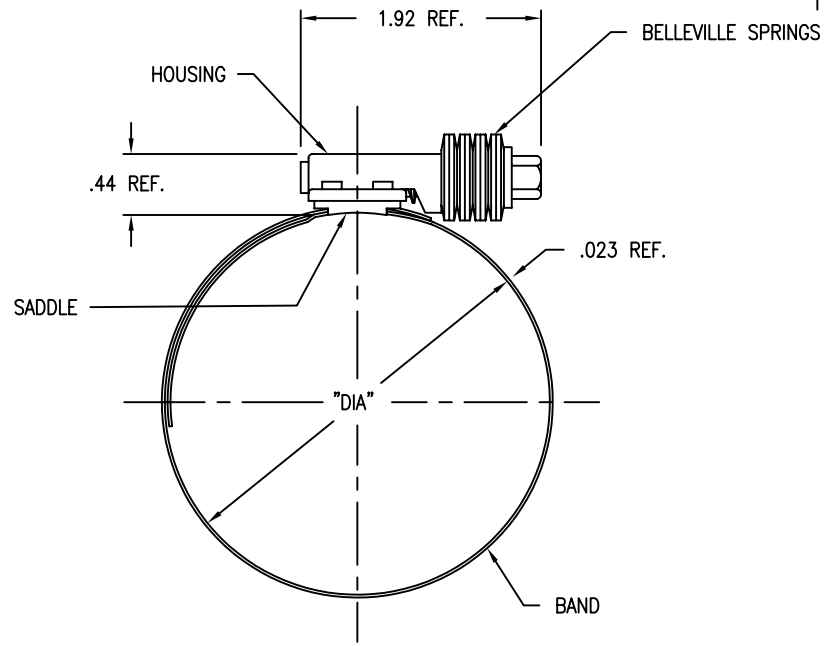
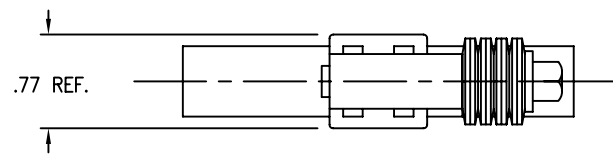


0362 0301 000

0362 0302 000

BREEZE PART No.		"A" DIAMETER	
PLATED SCREW	STAINLESS SCREW	MIN	MAX
CT 9206	CT 9406	7/16	25/32
CT 9208	CT 9408	1/2	29/32
CT 9210	CT 9410	9/16	1 1/16
CT 9212	CT 9412	11/16	1 1/4
CT 9216	CT 9416	13/16	1 1/2
CT 9220	CT 9420	13/16	1 3/4
CT 9222	CT 9422	1 1/8	1 7/8
CT 9224	CT 9424	1 1/16	2
CT 9228	CT 9428	1 5/8	2 1/4
CT 9232	CT 9432	1 9/16	2 1/2
CT 9236	CT 9436	1 13/16	2 3/4
CT 9240	CT 9440	2 1/16	3
CT 9244	CT 9444	2 5/16	3 1/4
CT 9248	CT 9448	2 9/16	3 1/2
CT 9252	CT 9452	2 13/16	3 3/4
CT 9256	CT 9456	3 1/16	4
CT 9260	CT 9460	3 5/16	4 1/4
CT 9264	CT 9464	3 9/16	4 1/2
CT 9272	CT 9472	4 1/8	5
CT 9280	CT 9480	4 5/8	5 1/2
CT 9288	CT 9488	5 1/8	6
CT 9296	CT 9496	5 5/8	6 1/2
CT 92104	CT 94104	6 1/8	7



No.	REVISION	DATE	BY
3	.023 BAND THICKNESS WAS .024, 1 59/64 WAS 2 1/2, REMOVED ONE SET OF SPRINGS, COMPLETED TABLE (REF. ECR #197) 5/16 HEX WAS 3/8 HEX REDRAWN ON AUTOCAD	2-93	J.S.
4	CHANGED FRACTIONS TO DECIMALS CORRECTED PART No'S., ADDED "REF." TO HOUSING DIM'S. (REF. ECR No. 276)	11-94	J.S.
5	ADDED REFERENCE DIMENSIONS (ECR 2006012301)	01-06	MAP

MATERIAL

BAND - 300 SERIES STAINLESS STEEL
 SADDLE - 300 SERIES STAINLESS STEEL
 BELLEVILLE SPRINGS - 301 STAINLESS STEEL OR C1075 CARBON STEEL, ZINC PLATED
 HOUSING - 300 SERIES STAINLESS STEEL
 SCREW - 410 STAINLESS STEEL HEAT TREATED OR C1018 - C1022 CARBON STEEL, ZINC PLATED

THE INFORMATION SHOWN ON THIS DRAWING CONSTITUTES PROPRIETARY INFORMATION OF BREEZE INDUSTRIAL PRODUCTS AND MAY NOT BE COPIED IN WHOLE OR IN PART WITHOUT WRITTEN PERMISSION.

SCALE : N.T.S.		
	DATE	BY
DRAWN	2-3-93	J.S.
CHECKED		
APPROVED		

BREEZE INDUSTRIAL PRODUCTS SALTSBURG, PA. U.S.A.	
TITLE:- HOSE CLAMP ASSEMBLY ,AERO-SEAL CONSTANT TORQUE CLAMP	
UNLESS NOTED, TOLERANCES ARE: .XX +/- .010 FRACT. +/- 1/64 .XXX +/- .005 ANG. +/- 0 15' .XXXX +/-	B-8995

0362 0301 000

0362 0302 000